



MAXIMO[®] DYNAMIC

High-Comfort Seat with
Dynamic Damping System[®]



GRAMMER

TECHNICAL DATA

MAXIMO® DYNAMIC

The Dynamic Damping System raises the bar for comfortable sitting in passive-suspension seats for midsized and large tractors. The Maximo Dynamic also automatically adjusts itself to the operator's weight and features a pneumatic lumbar support as well as extra-wide, voluminous cushions. The result is outstandingly comfortable sitting and work.



Pneumatic Suspension



Dynamic Damping System



Pneumatic Lumbar Support



Swivel



Automatic Weight Adjustment



Automatic Positioning System



Lateral Suspension



Fore/aft Isolator



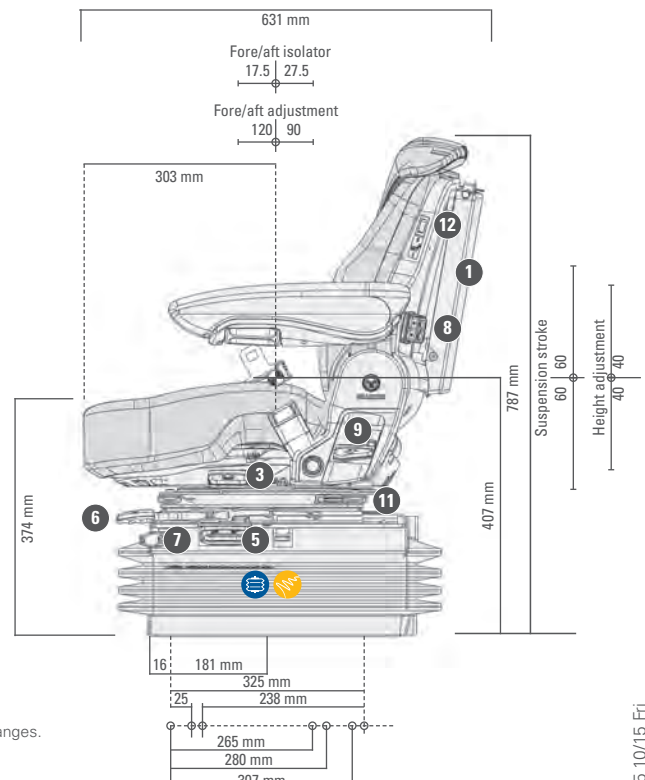
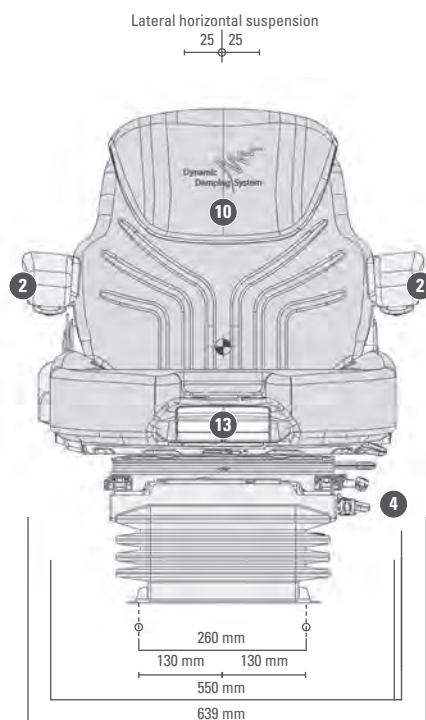
Automatic Shock Absorber

Features ● Standard ○ Optional

	Maximo® Dynamic
Article no. fabric	1288545
① Document box	●
APS (Automatic positioning system)	●
② Armrests , height-adjustable and foldable 80 x 380 mm, adjustable angle	●
Shock absorber Automatic	●
③ Swivel , Adjustment range 20°	●
Suspension	
Pneumatic suspension with 12 V compressor	●
Dynamic Damping System®	●
Suspension stroke , 120 mm	●
④ Weight adjustment Automatic	●

	Maximo® Dynamic
⑤ Height adjustment 80 mm infinite (air-assisted)	●
⑥ Fore/aft adjustment 210 mm	●
⑦ Fore/aft isolator	●
⑧ Lumbar support Pneumatic	●
⑨ Adjustable backrest angle	●
⑩ Integrated backrest extension	●
⑪ Lateral suspension	●
⑫ Seat heating	●
⑬ Adjustable seat cushion depth and angle	●
Seat cushion width	550 mm
OPTIONAL FEATURES	
Restraint system	○
Operator presence switch (OPS)	○

Measurements (installation dimensions)



All dimensions in mm.
Subject to technical changes.