



MAXIMO® COMFORT

Standard Seat with
Pneumatic Suspension



GRAMMER

TECHNICAL DATA

MAXIMO® COMFORT

An integrated 12-volt air compressor makes it extremely easy to adjust the height of the Maximo Comfort by raising or lowering a lever. Extra-wide, voluminous cushions add to the feeling of comfort while a lumbar support greatly reduces the risk of damage to spinal disks.



Pneumatic Suspension



Mechanical Lumbar Support



Manual Weight Adjustment



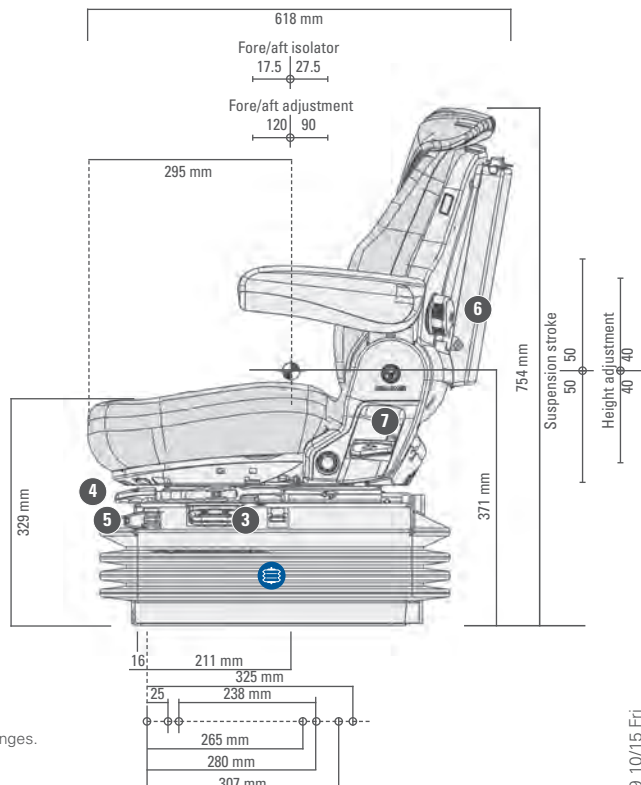
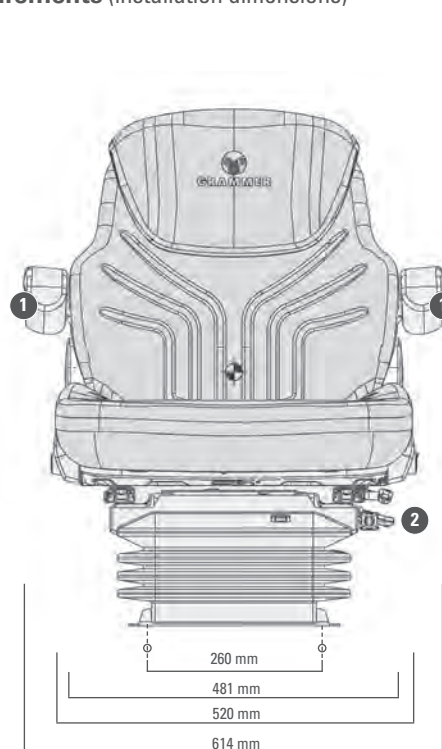
Fore/Aft Isolator

Features ● Standard ○ Optional

	Maximo® Comfort
Article no. fabric	1288539
Article no. imitation leather	1201942
① Armrests, height-adjustable and foldable 65 x 270 mm	●
Shock absorber Nonadjustable	●
Suspension	
● Pneumatic suspension with 12 V compressor	●
Suspension stroke, 100 mm	●
② Weight adjustment Manual	●
③ Height adjustment 60 mm, infinite (air-assisted)	●

	Maximo® Comfort
④ Fore/aft adjustment 210 mm	●
⑤ Fore/aft isolator	●
⑥ Lumbar support Mechanical	●
⑦ Adjustable backrest angle	●
Seat cushion width	520 mm
OPTIONAL FEATURES	
Document box	○
Integrated backrest extension	○
Restraint system	○
Lateral suspension	○
Seat heating	○
Operator presence switch (OPS)	○

Measurements (installation dimensions)



All dimensions in mm.
Subject to technical changes.