



PRIMO[®] L

Standard Seat with
Pneumatic Suspension



GRAMMER

TECHNICAL DATA

PRIMO® L

This seat's reduced-travel pneumatic suspension, which runs on a 12 V or 24 V power source, effectively attenuates vibrations in even the tiniest cabs. It can be optimally set to the operator's weight using an ergonomically placed pushbutton, aided by an indicator.



Pneumatic suspension



Mechanical Lumbar Support



Manual Weight Adjustment

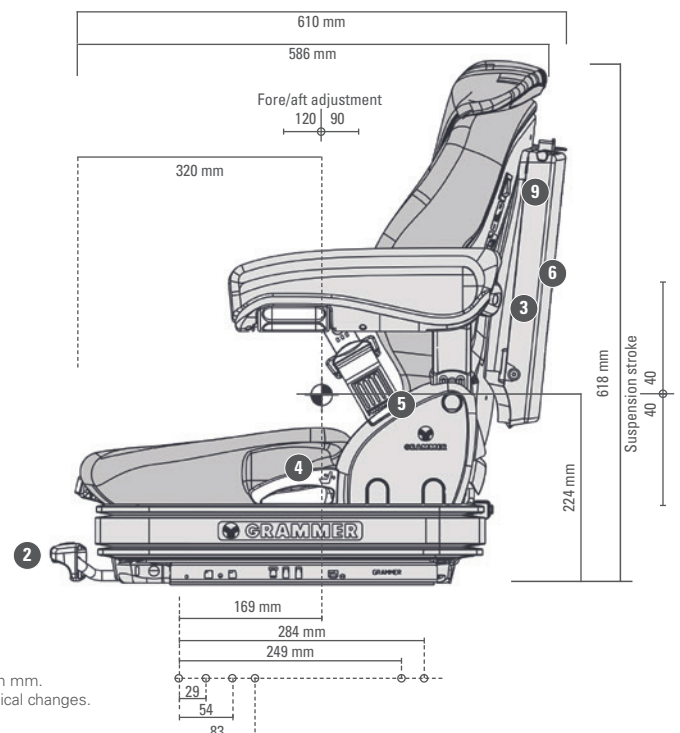
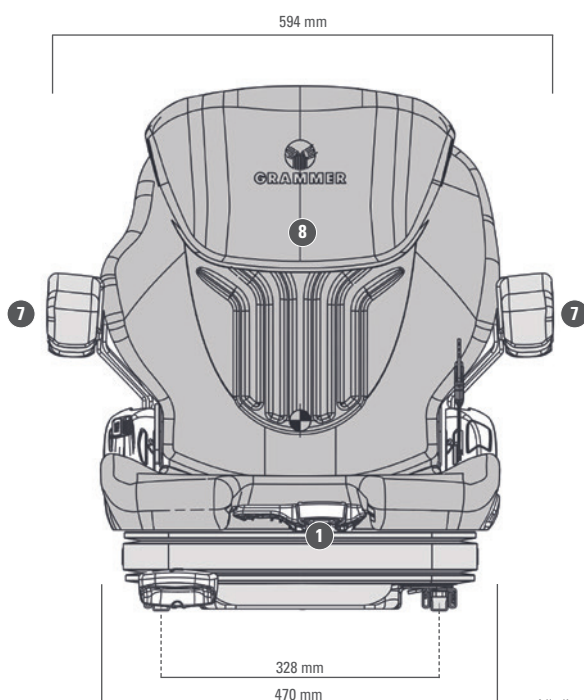
Features ● Standard ○ Optional

	PRIMO® L
Article no. fabric	
Compressor 12V	1293488
Compressor 24V	1293477
Article no. imitation leather	
Compressor 12V	1104725
Shock absorber nonadjustable	●
Suspension	
Pneumatic suspension with compressor	●
Suspension stroke 80 mm	●
1 Weight adjustment 45 - 170 kg, pneumatic	●
2 Fore/aft adjustment 210 mm	●
3 Lumbar support mechanical	●

	PRIMO® L
4 Adjustable backrest angle	●
5 Restraint system	●
Seat cushion width	470 mm
Operator presence switch (OPS)	●
OPTIONAL FEATURES	
6 Document box	○
7 Armrests height-adjustable	○
Fore/aft isolator*	○
8 Backrest extension	○
9 Seat heating	○

*Fore/aft isolator not for earth-moving machinery

Measurements (installation dimensions)



All dimensions in mm.
Subject to technical changes.