



MAXIMO® DYNAMIC PLUS

With Dualmotion
Adaptive Back Support



** Multifunctional armrest
not included.*



GRAMMER

TECHNICAL DATA

MAXIMO® DYNAMIC PLUS



The Maximo Dynamic Plus excels with Dualmotion technology: the upper backrest section rotates as the user twists around, thus continuing to provide back support and enabling the best possible view when it is necessary to work in a backward-facing position. Thanks to a redesigned swivel, lateral suspension, and new controls, the Maximo Dynamic Plus ideally meets the prerequisites for installing heavy multifunctional armrests (not included).



Pneumatic Suspension



Dynamic Damping System



Pneumatic Lumbar Support



Swivel



Automatic Shock Absorber



Automatic Positioning System



Automatic Weight Adjustment



Lateral Suspension



Fore/Aft Isolator



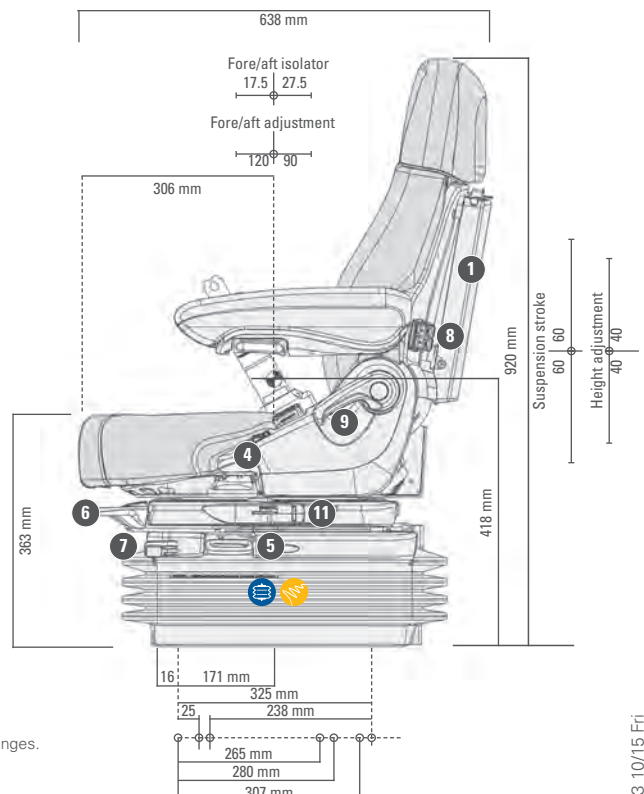
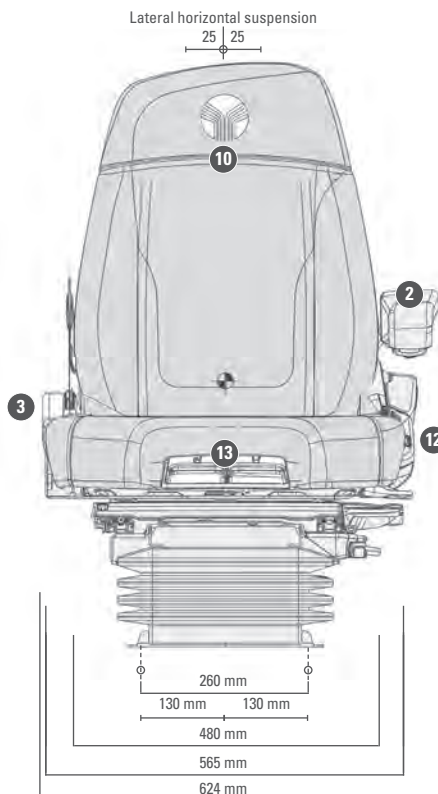
Passive Climate System

Features ● Standard ○ Optional

	Maximo® Dynamic Plus
Article no. fabric	1323523
① Document box	●
APS (Automatic positioning system)	●
Armrests	
② Left: 80 x 380 mm, adjustable angle	●
③ Right: interface for multifunctional armrest	●
Shock absorber, Automatic	●
④ Swivel 7.5° left / 15° right	●
● Pneumatic suspension with 12 V compressor	●
● Dynamic Damping System®	●
Suspension stroke 120 mm	●
Weight adjustment, Automatic	●
⑤ Height adjustment, 80 mm infinite (air-assisted)	●

	Maximo® Dynamic Plus
Climate system, passive	●
⑥ Fore/aft adjustment 210 mm	●
⑦ Fore/aft isolator	●
⑧ Lumbar support, pneumatic	●
⑨ Adjustable backrest angle	●
Restraint system	●
⑩ Adaptive backrest Dualmotion	●
⑪ Lateral suspension	●
Seat cushion width	565 mm
⑫ Seat heating 2-step	●
⑬ Adjustable seat cushion depth and angle	●
OPTIONAL FEATURES	
Operator presence switch (OPS)	○

Measurements (installation dimensions)



All dimensions in mm.
Subject to technical changes.